



# HP65 - Mounting instructions

Boatsystem Group AB, Traneredsvägen 112, 426 53 Västra Frölunda, Sweden, Tel:+46 (0)31 69 03 80  
www.boatsystemgroup.com, info@boatsystemgroup.com

**!** **OBS:** Detta båtillbehör är endast för bruk till sjöss. **NOTE:** This boat accessory is only to be used at sea.

Detta behöver du:  
You will need this:

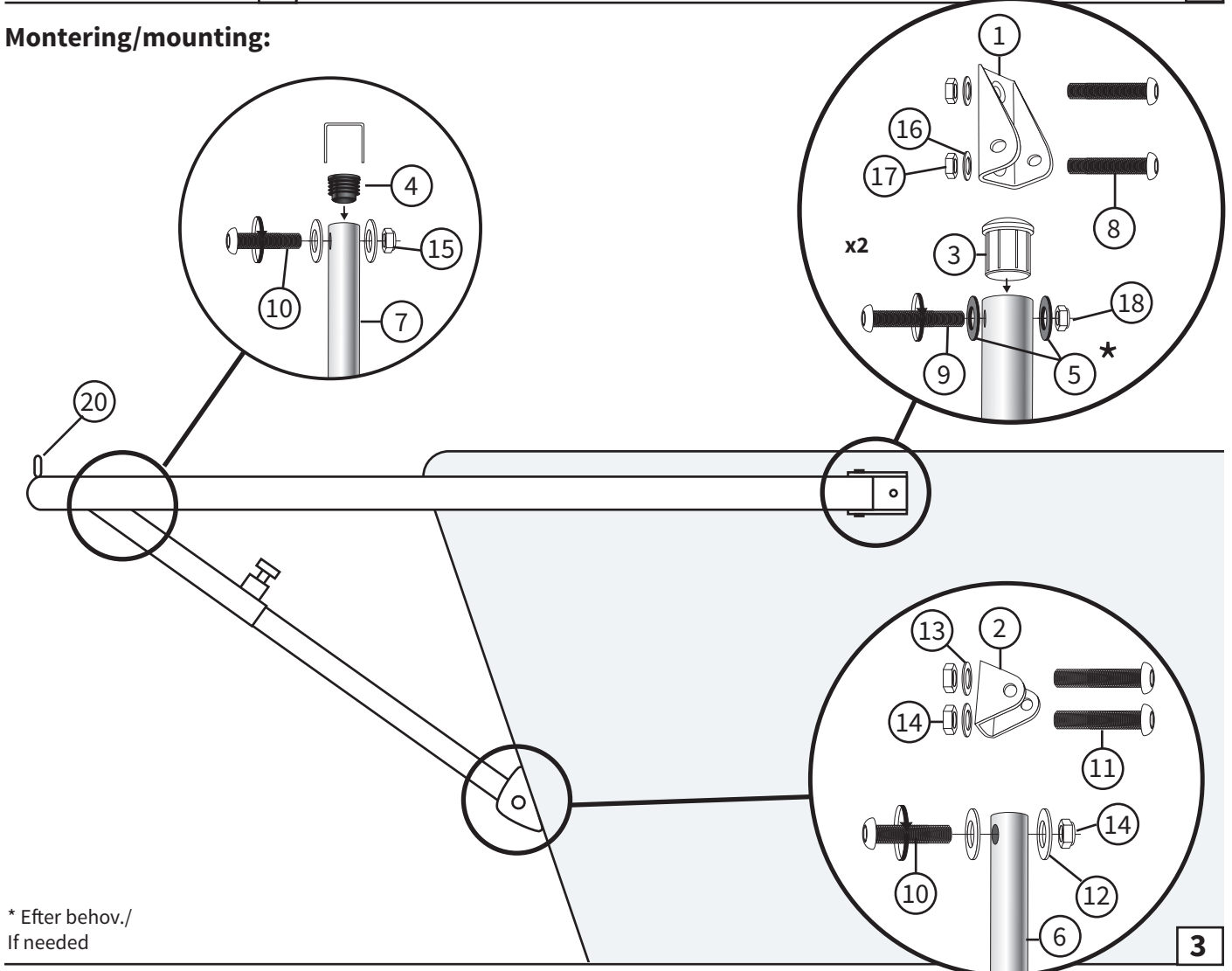
Tools and materials shown: Wrenches (17, 13, 10), Hex key (1), SIKAFLEX adhesive, MARKER PENCIL, Jigsaw, Drill, Screws (8-19), Washers (12-15), Spacers (6, 7), and Mounting plate (20).

Parts list:

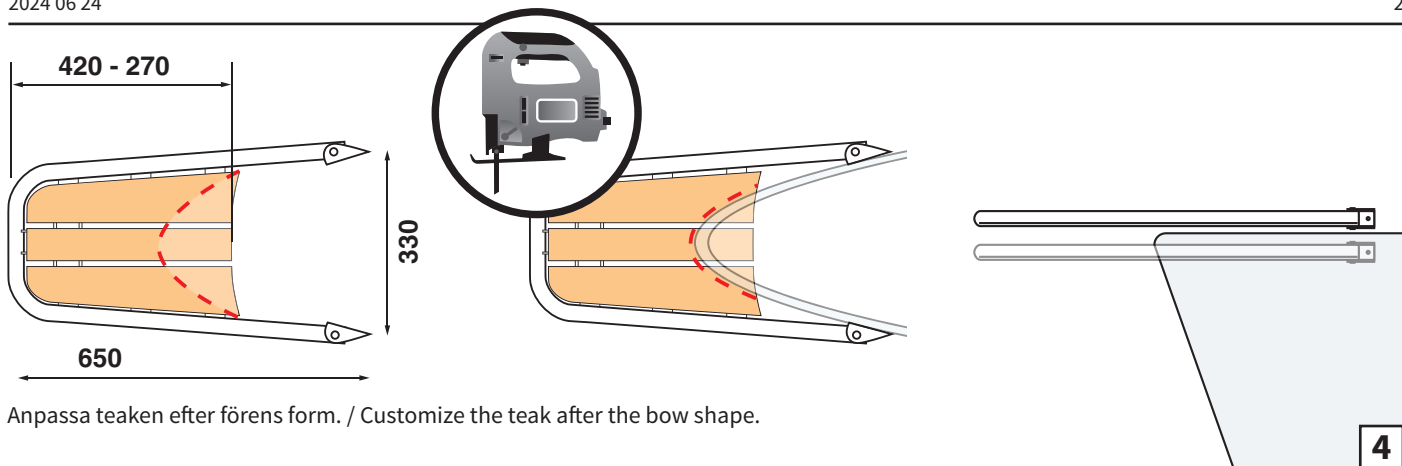
- 1: x2 M8, Ø32
- 2: x1 M6, Ø22
- 3: x2 Ø32
- 4: x1 Ø25
- 5: x4 Ø10
- 6: x1 Ø22, 650 mm
- 7: x1 Ø25, 350 mm
- 8: x4 M8x40
- 9: x2 M10x50
- 10: x2 M6x35
- 11: x2 M6x40
- 12: x4 M6
- 13: x2 M8
- 14: x2 M6
- 15: x2 M6
- 16: x4 M10
- 17: x4 M8
- 18: x2 M10
- 19: x1 M8x16
- 20: x1

Additional note: x16 (i teaken / in the teak)

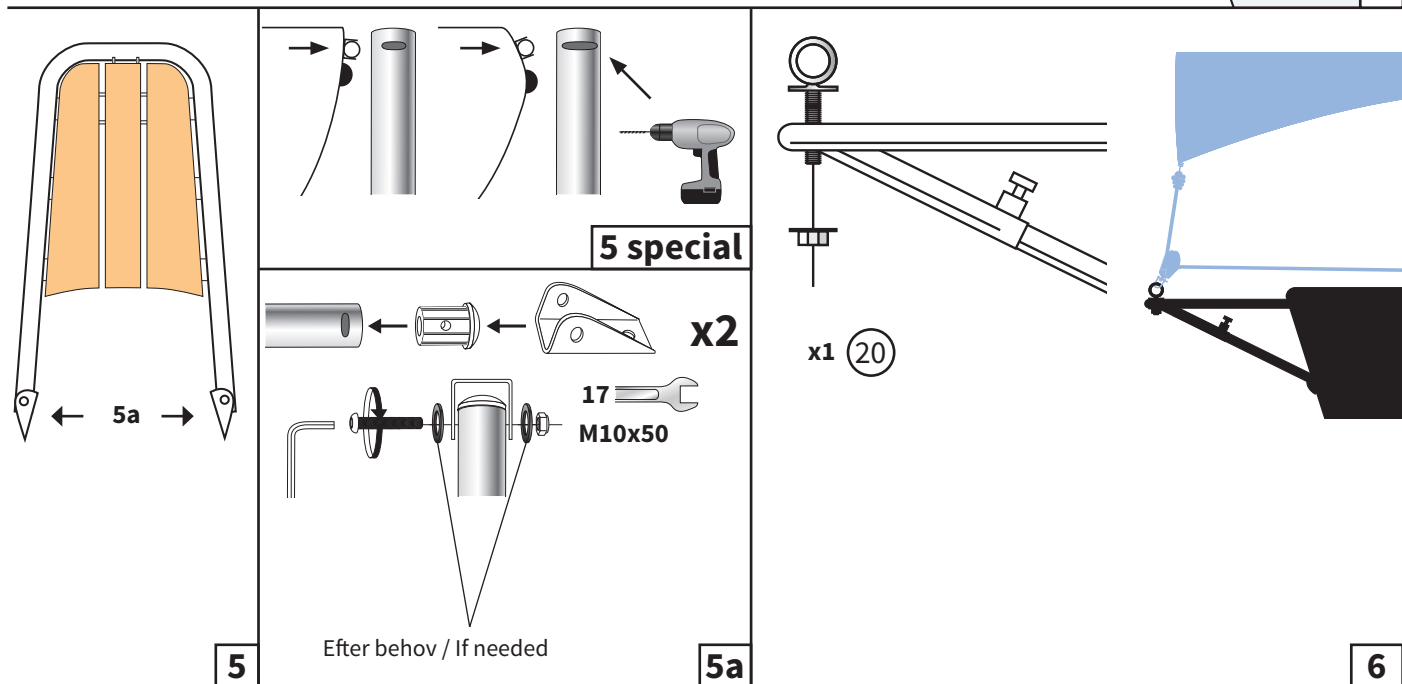
## Montering/mounting:



\* Efter behov./  
If needed



Anpassa teaken efter förens form. / Customize the teak after the bow shape.



5 special

x2

17 M10x50

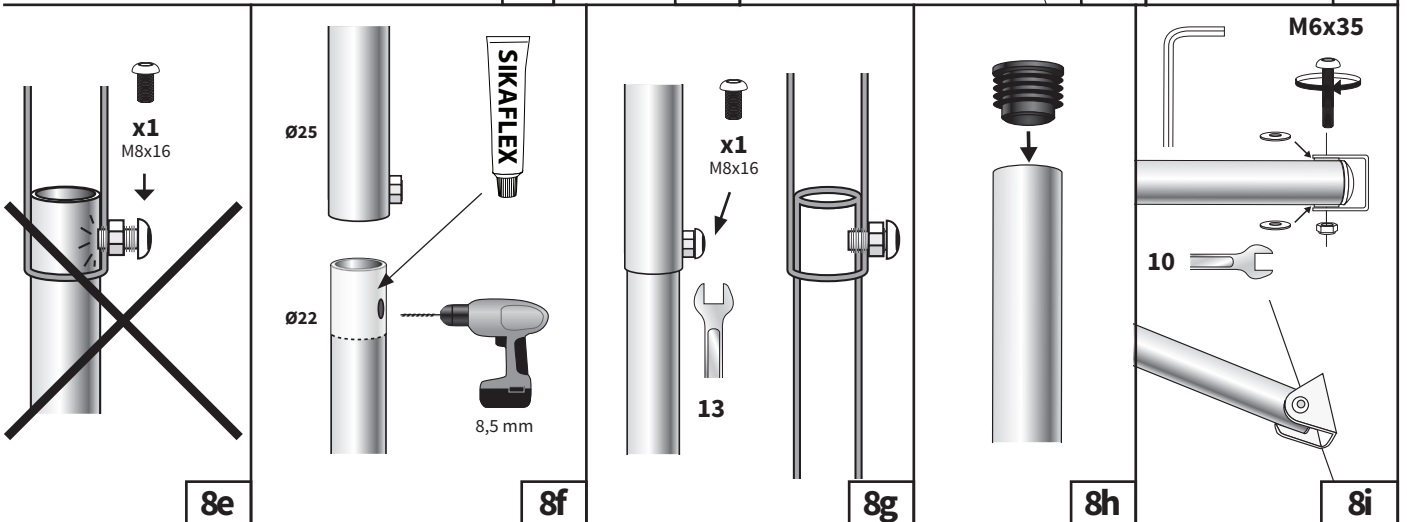
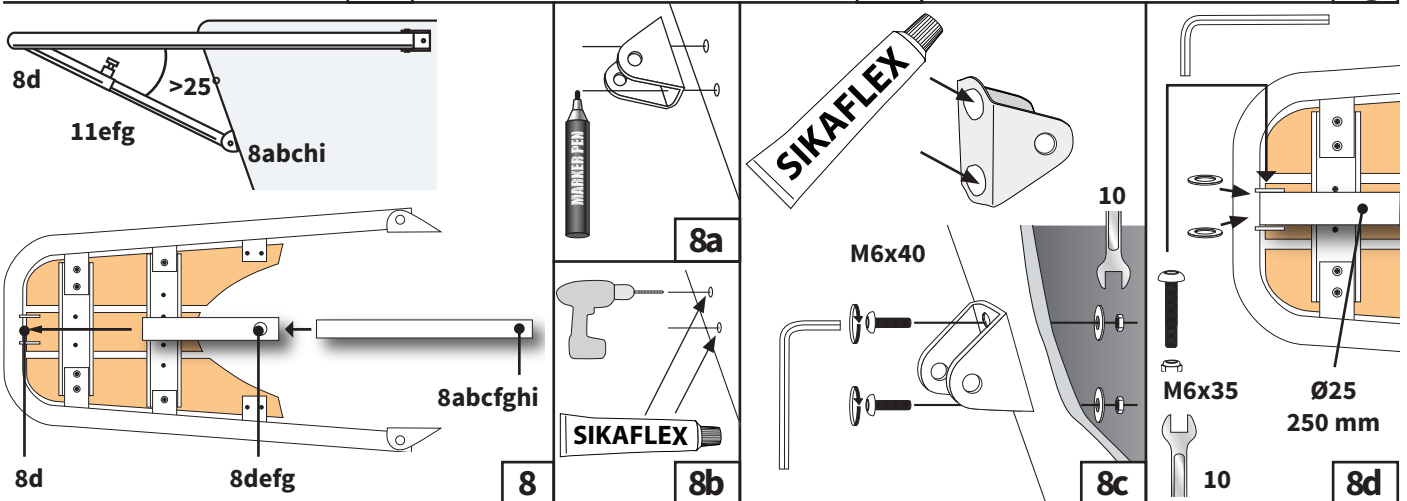
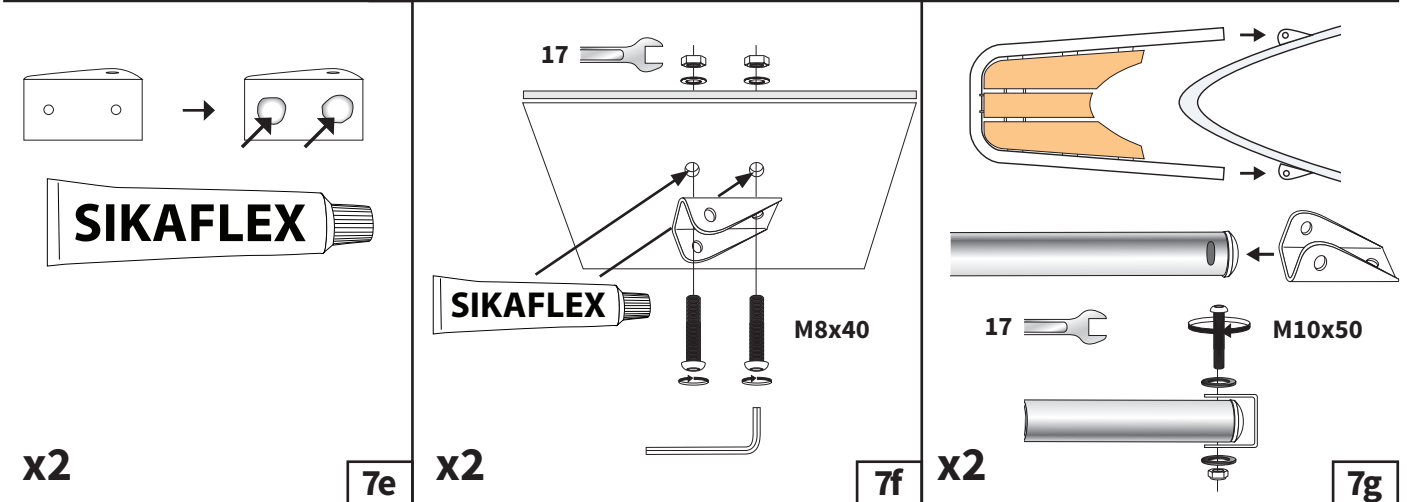
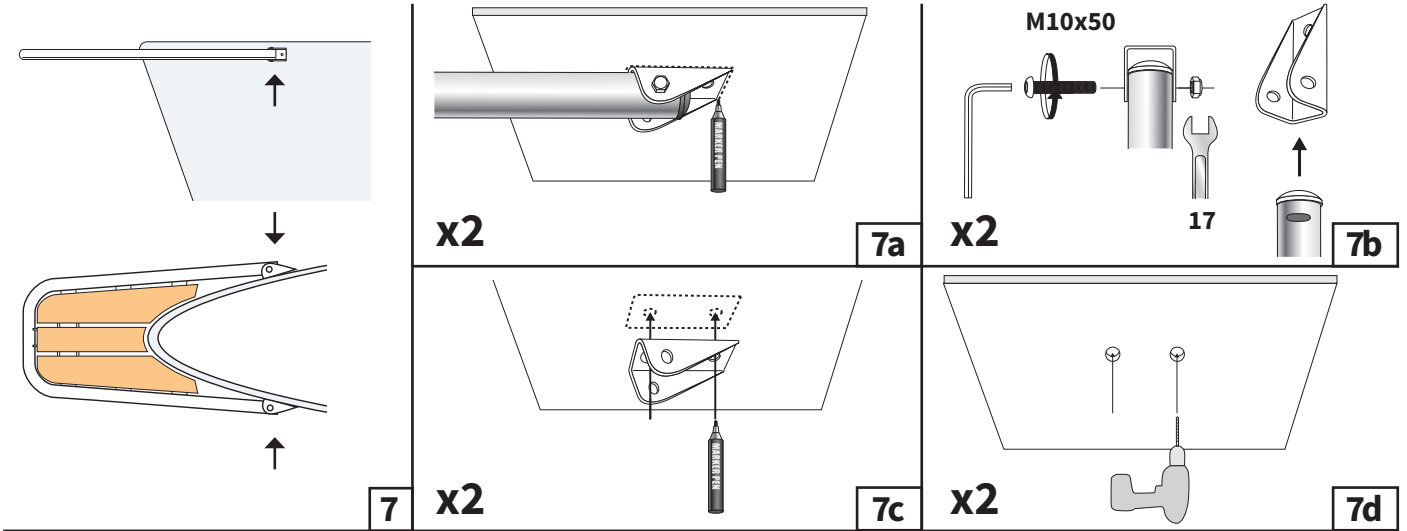
Efter behov / If needed

x1 (20)

5

5a

6

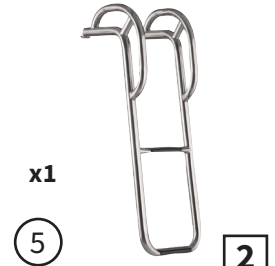
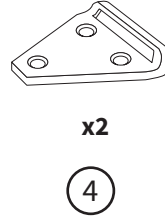
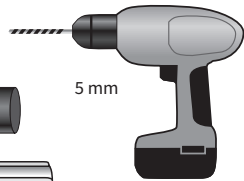
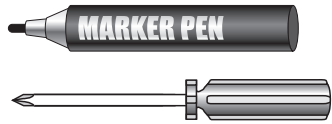


# Båtsystem BU60P - Mounting instructions



Boatsystem Group AB, Traneredsvägen 112, 426 53 Västra Frölunda, Sweden, Tel:+46 (0)31 69 03 80  
www.boatsystemgroup.com, info@boatsystemgroup.com

Detta behöver du:  
You will need this:



1

1

2

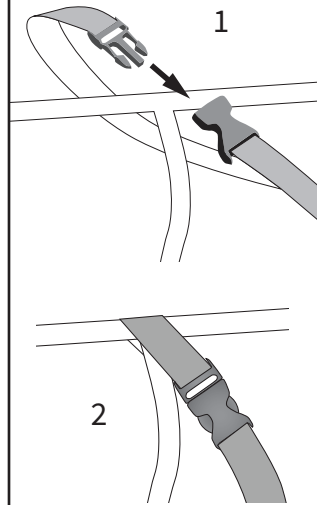
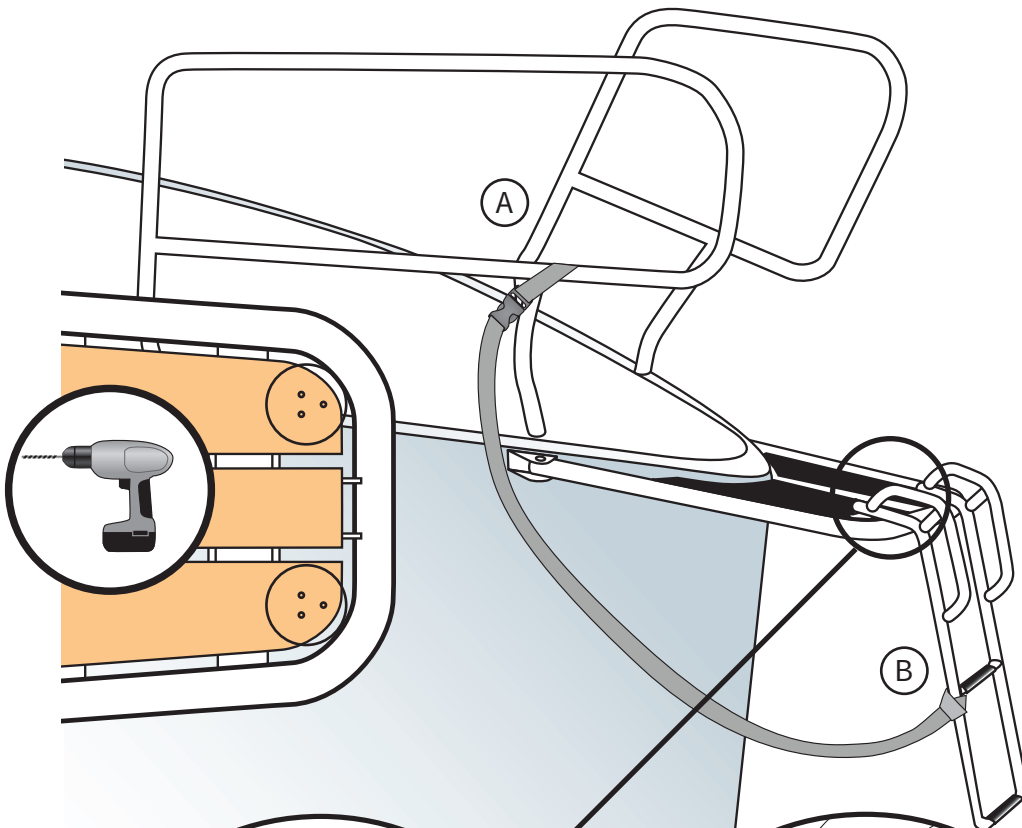
3

4

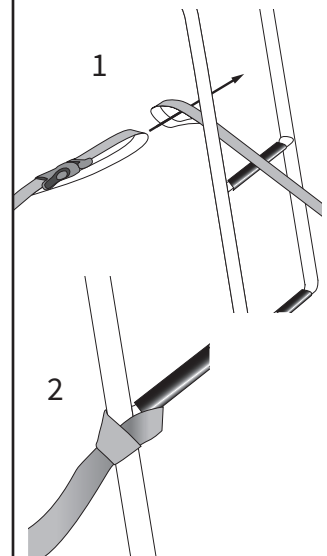
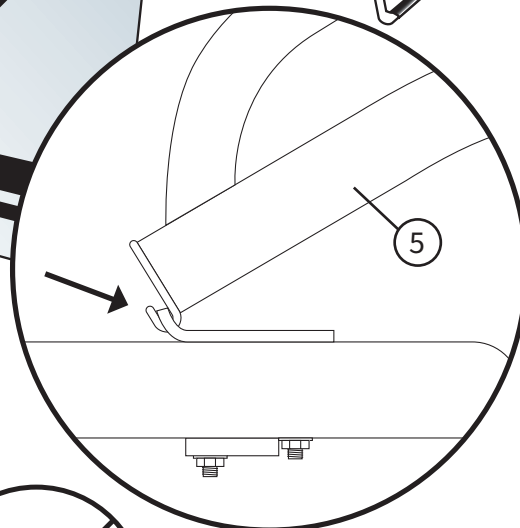
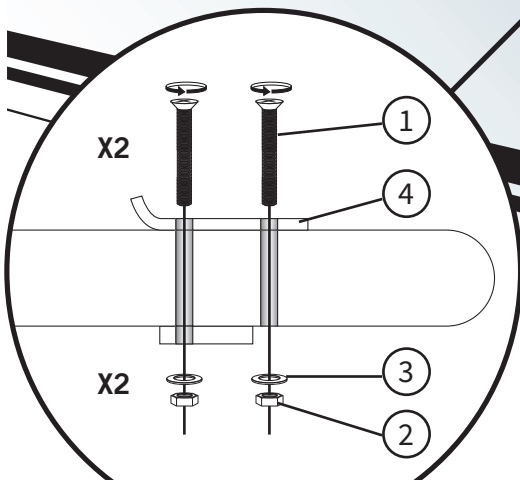
5

2

## Montering/mounting:



A

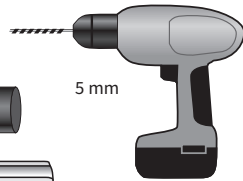


3

B



Detta behöver du:  
You will need this:



1

Innehåll:



x2  
M6x40

1

x2

M6

2



x2

3



x1

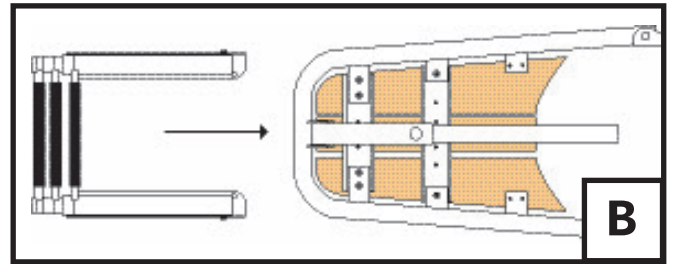
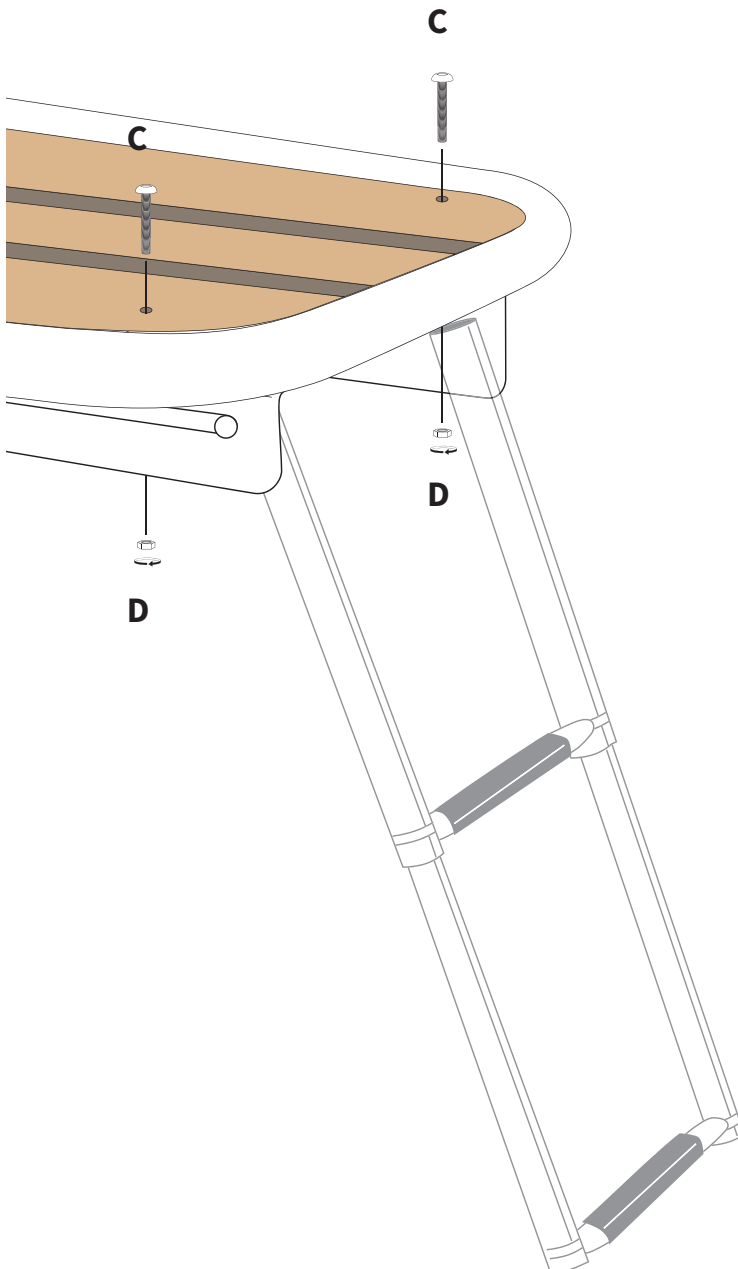
4

Stige / Ladder:

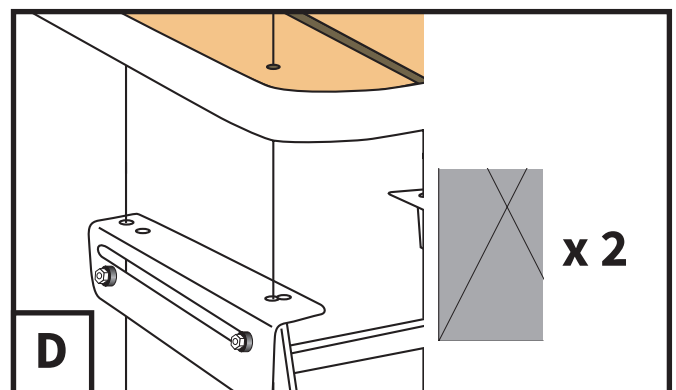
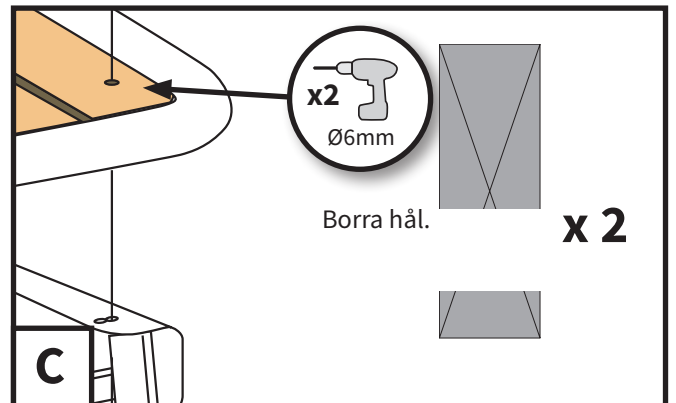
BKT72\_250  
BKT73-250

2

Montering/mounting:



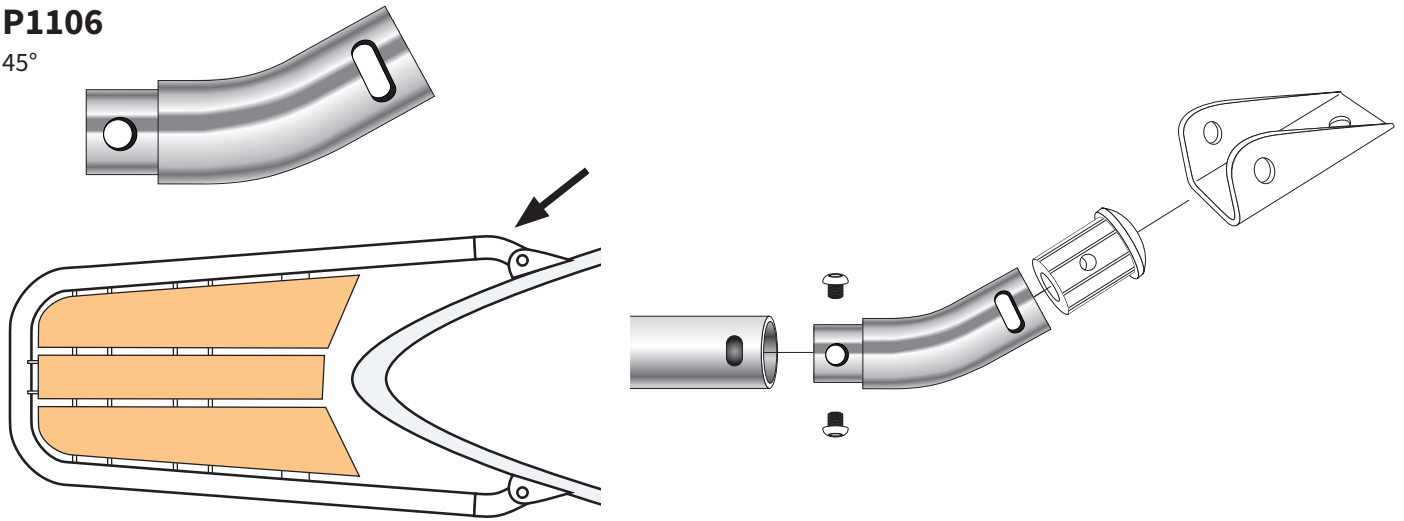
Se till att ramsidorna monteras parallellt så att inte stegen fastnar när den fälls in.



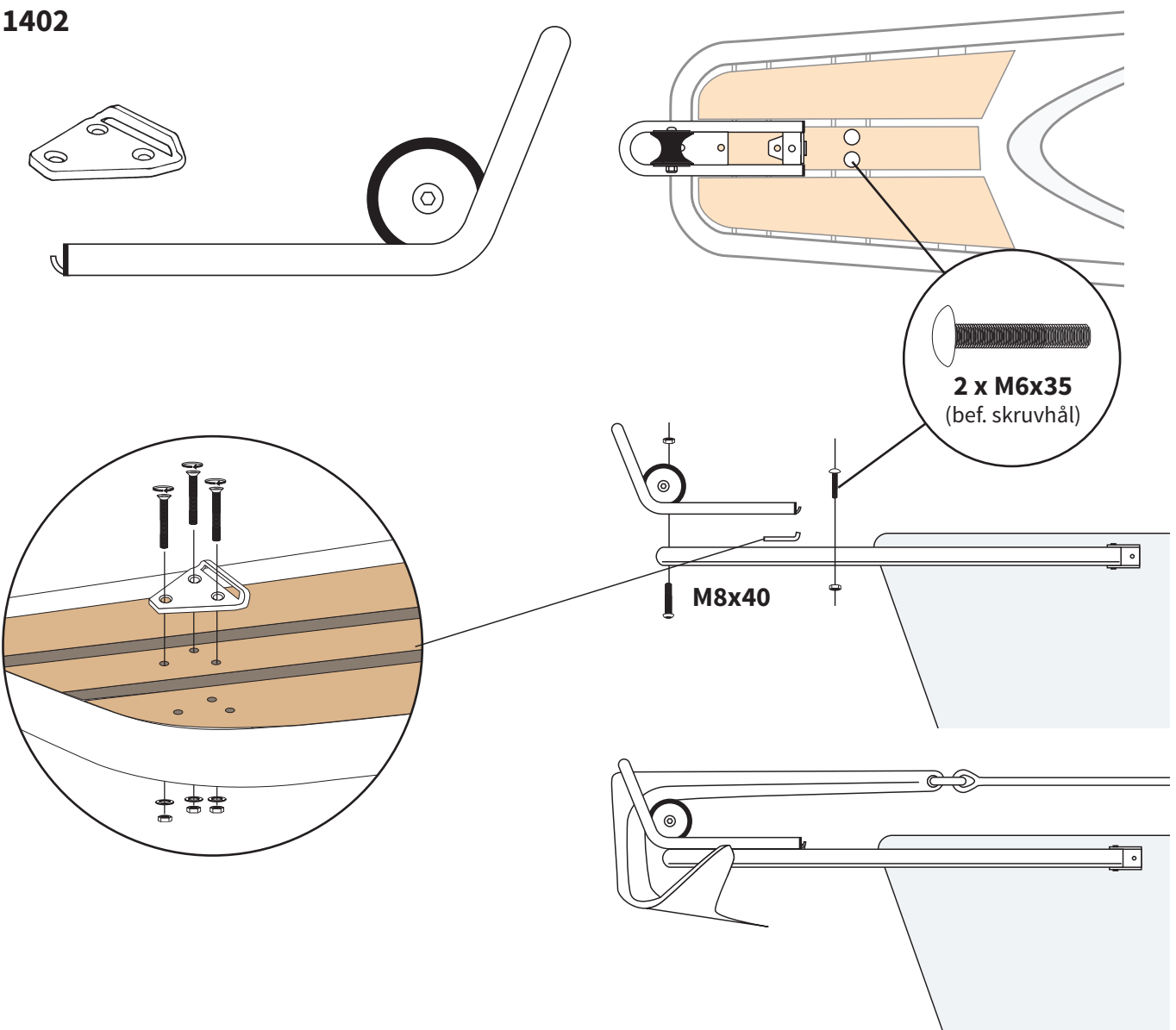


### P1106

45°



### 1402





# HP65BL - Mounting instructions

Boatsystem Group AB, Traneredsvägen 112, 426 53 Västra Frölunda, Sweden, Tel:+46 (0)31 69 03 80  
www.boatsystemgroup.com, info@boatsystemgroup.com

**!** **OBS:** Detta båtillbehör är endast för bruk till sjöss. **NOTE:** This boat accessory is only to be used at sea.

Detta behöver du:  
You will need this:

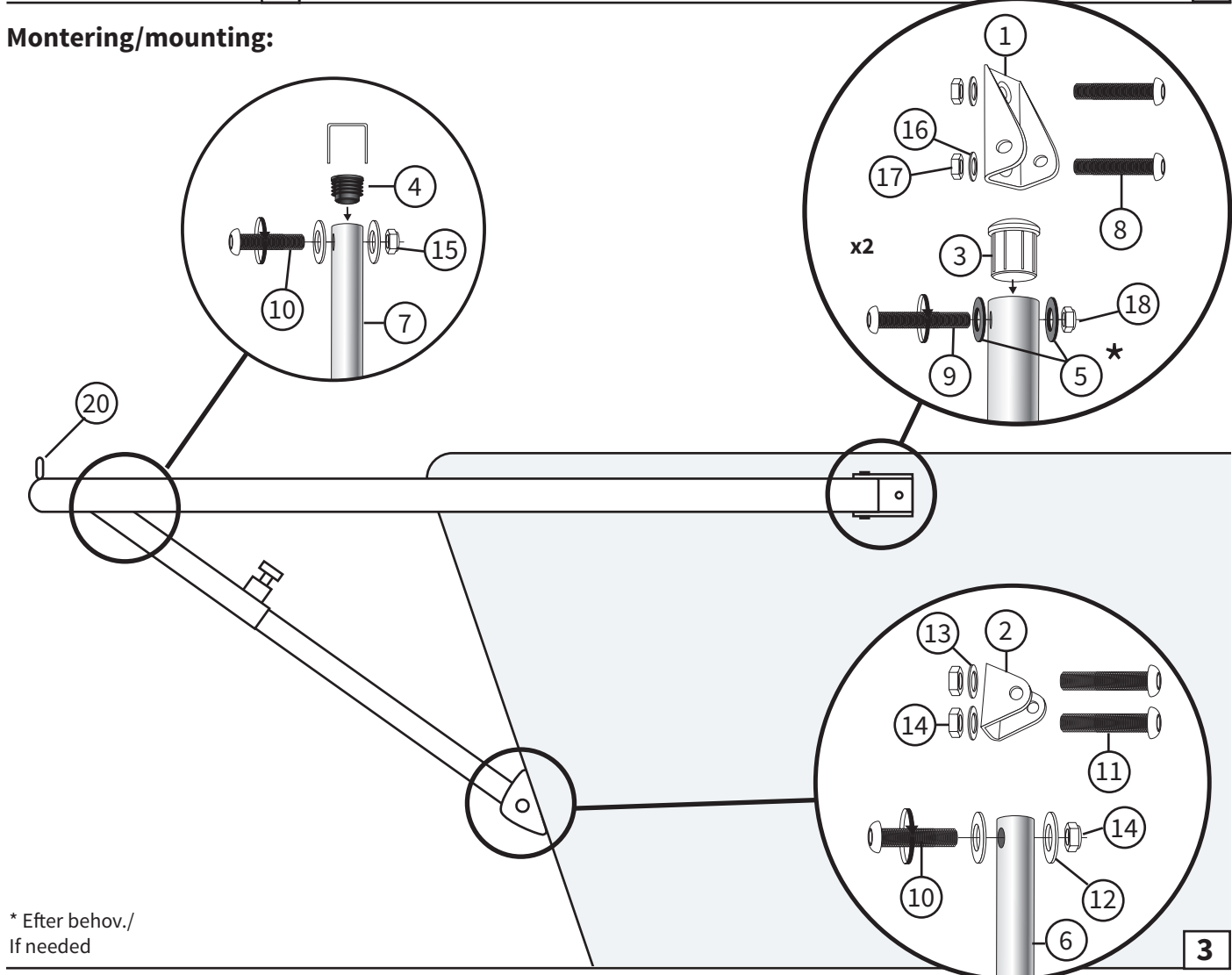
Tools and materials shown: Wrenches (17, 13, 10), Hex key (1), SIKAFLEX adhesive, MARKER PENCIL, Jigsaw, Drill, Screws (8, 9, 10, 11, 12, 13, 14, 15, 16, 17, 18, 19, 20), Washers (12, 13, 14, 15, 16, 17, 18), Spacers (6, 7), and Mounting plates (1, 2, 3).

Parts list:

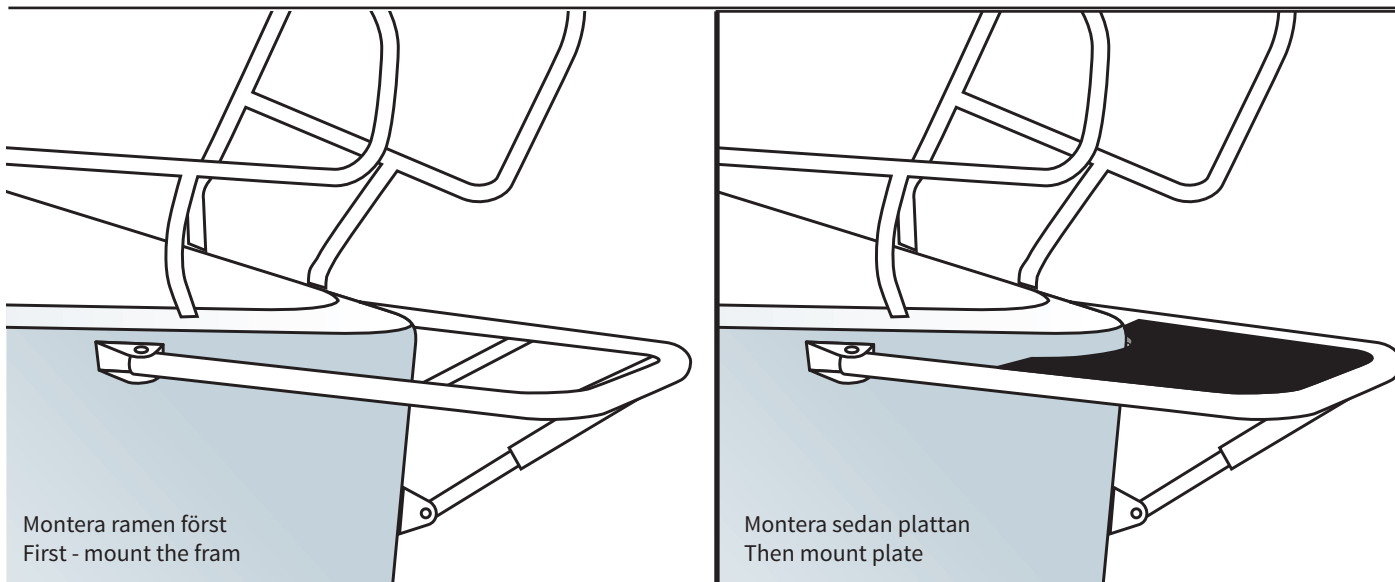
- 1** x2 M8, Ø32
- 2** x1 M6, Ø22
- 3** x2 Ø32
- 4** x1 Ø25
- 5** x4 Ø10
- 6** x1 Ø22, 650 mm
- 7** x1 Ø25, 300 mm
- 8** x4 M8x40
- 9** x2 M10x50
- 10** x2 M6x35
- 11** x2 M6x40
- 12** x4 M6
- 13** x2 M8
- 14** x2 M6
- 15** x2 M6
- 16** x4 M10
- 17** x4 M8
- 18** x2 M10
- 19** x1 M8x16
- 20** x1

**x16** (i teaken / in the teak)

## Montering/mounting:

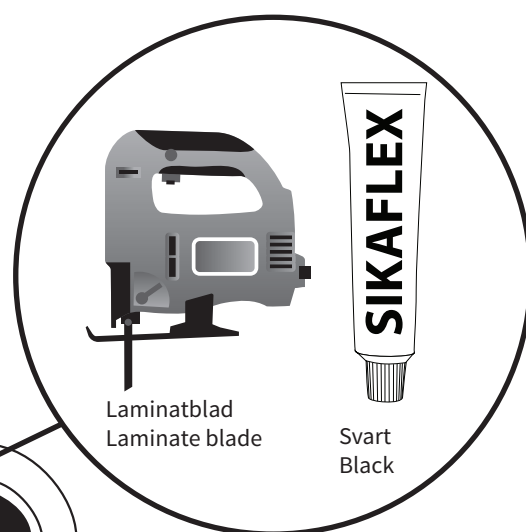
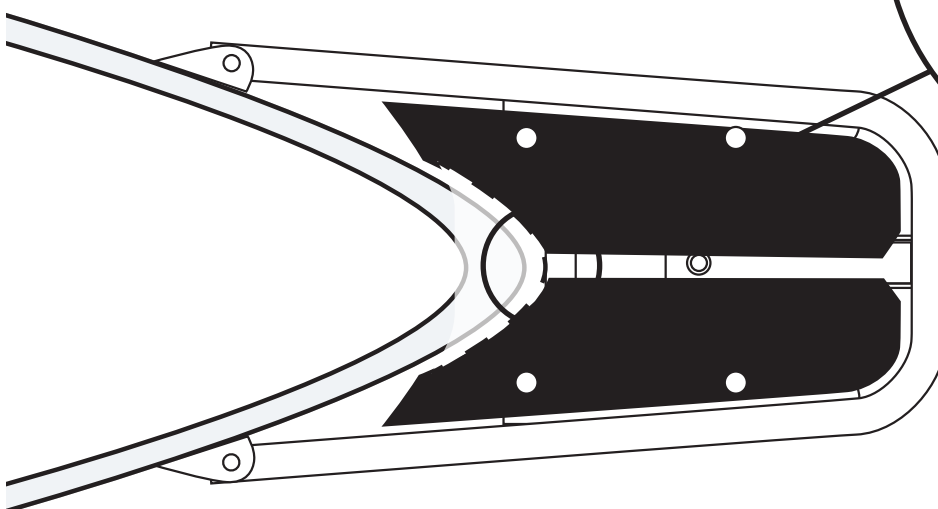


\* Efter behov./  
If needed

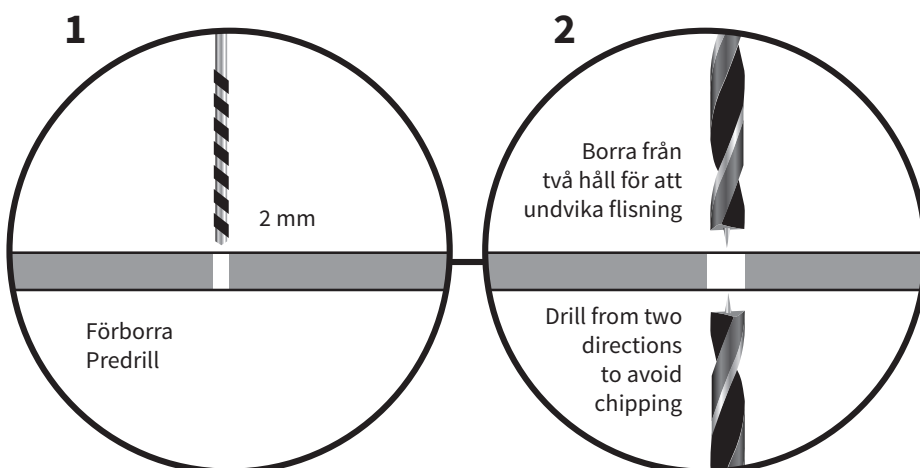


Skivan anpassas till stäven efter behov. Materialet i plattan är hårt använd lamineratblad för att undvika flisning av materialet.  
Försegla ytan med sikaflex.

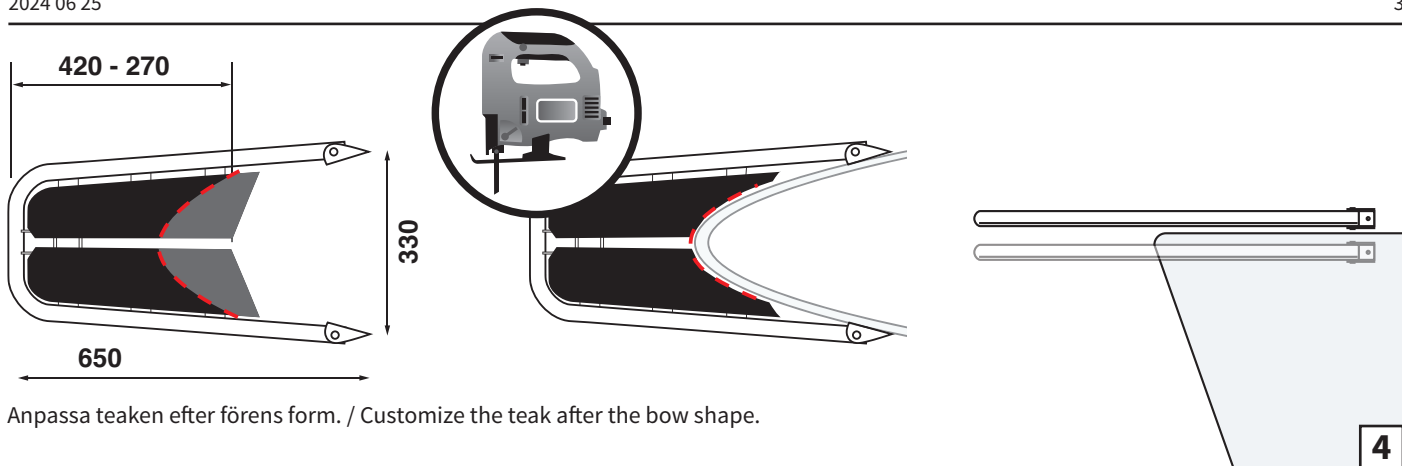
The grey footboard will need adjusting to the boats bowprofile. The material in the board is very hard so use a fine-toothed sawblade designed for laminate to avoid chipping. Seal the edge with black Sikaflex.



Om nya hål behöver borraras - förborra alltid.  
If new holes need to be drilled - Always predrill.

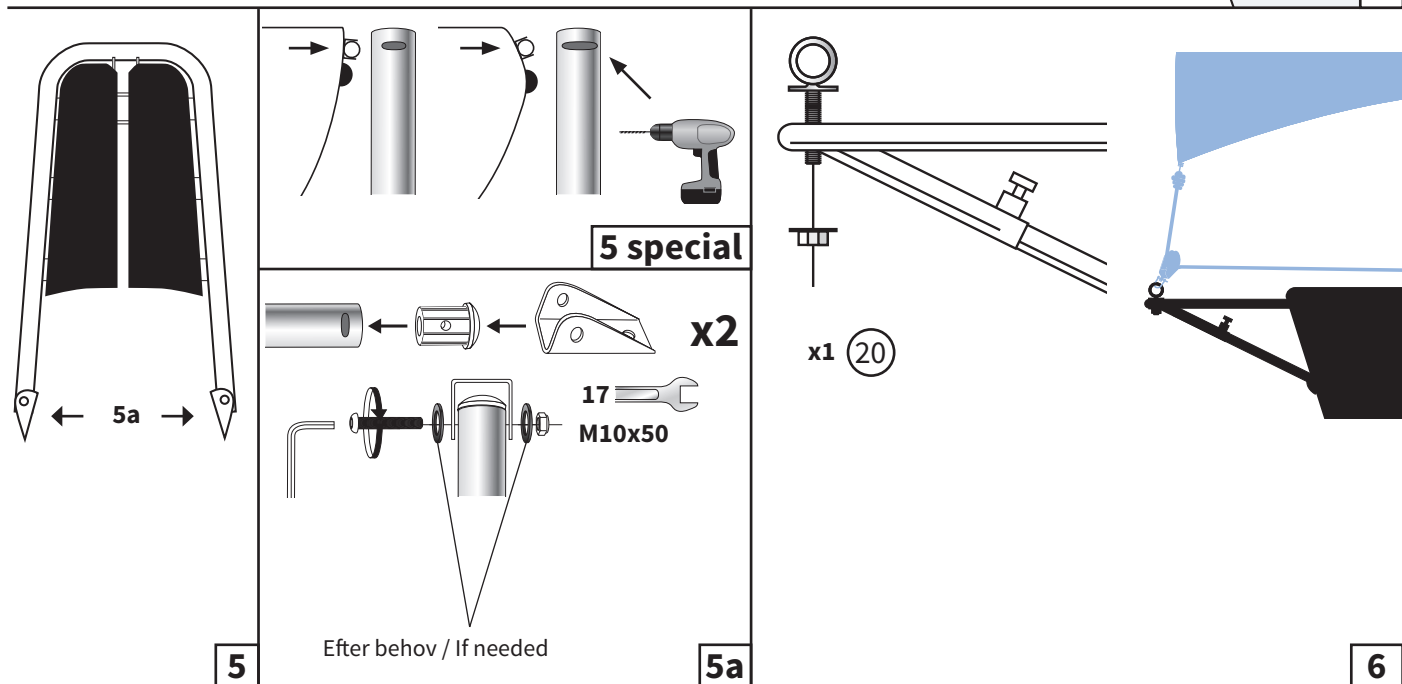






Anpassa teaken efter förens form. / Customize the teak after the bow shape.

4



5 special

x2

17 M10x50

Efter behov / If needed

x1 (20)

5

5a

6

**7a** x2: Diagram showing a pipe being inserted into a basin. A marker is used to mark the pipe.

**7b** x2: Diagram showing the installation of a bracket (17) and a nut (M10x50) onto the pipe.

**7c** x2: Diagram showing the application of SIKAFLEX sealant to the bracket.

**7d** x2: Diagram showing the final assembly of the bracket and nut on the pipe.

**7e** x2: Diagram showing the application of SIKAFLEX sealant to a component.

**7f** x2: Diagram showing the installation of a bracket (17) and a nut (M8x40) onto a component.

**7g** x2: Diagram showing the installation of a bracket (17) and a nut (M10x50) onto a component.

**8a**: Diagram showing the application of SIKAFLEX sealant to a bracket.

**8b**: Diagram showing the application of SIKAFLEX sealant to a component.

**8c**: Diagram showing the installation of a bracket (10) and a nut (M6x40) onto a component.

**8d**: Diagram showing the installation of a bracket (10) and a nut (M6x35) onto a component (Ø25 250 mm).

**8e**: Diagram showing a crossed-out step where a nut (M8x16) is incorrectly applied to a pipe.

**8f**: Diagram showing the correct application of SIKAFLEX sealant to a pipe (Ø25) and the drilling of a hole (Ø22) with an 8.5 mm drill bit.

**8g**: Diagram showing the installation of a bracket (13) and a nut (M8x16) onto a pipe.

**8h**: Diagram showing the installation of a nut (M6x35) onto a pipe.

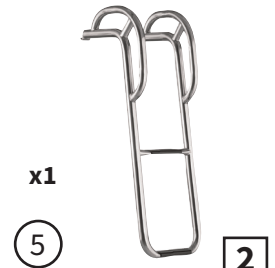
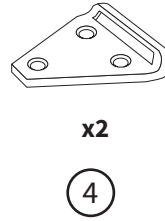
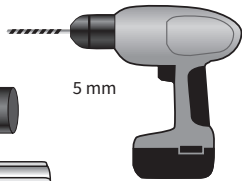
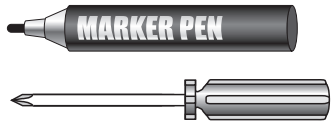
**8i**: Diagram showing the installation of a bracket (10) and a nut (M6x35) onto a pipe.

# Båtsystem BU60P - Mounting instructions



Boatsystem Group AB, Traneredsvägen 112, 426 53 Västra Frölunda, Sweden, Tel:+46 (0)31 69 03 80  
www.boatsystemgroup.com, info@boatsystemgroup.com

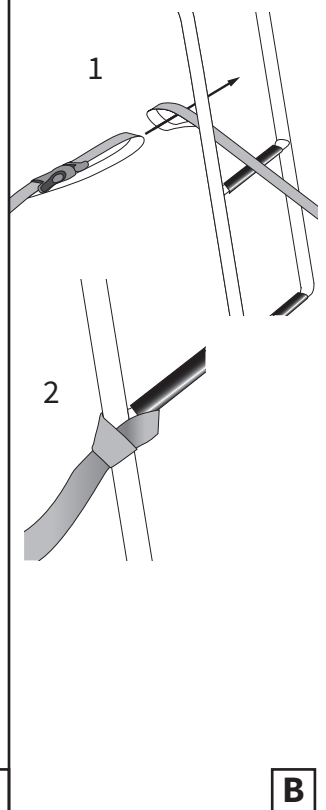
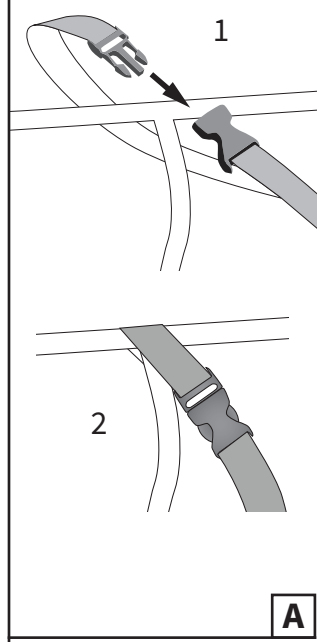
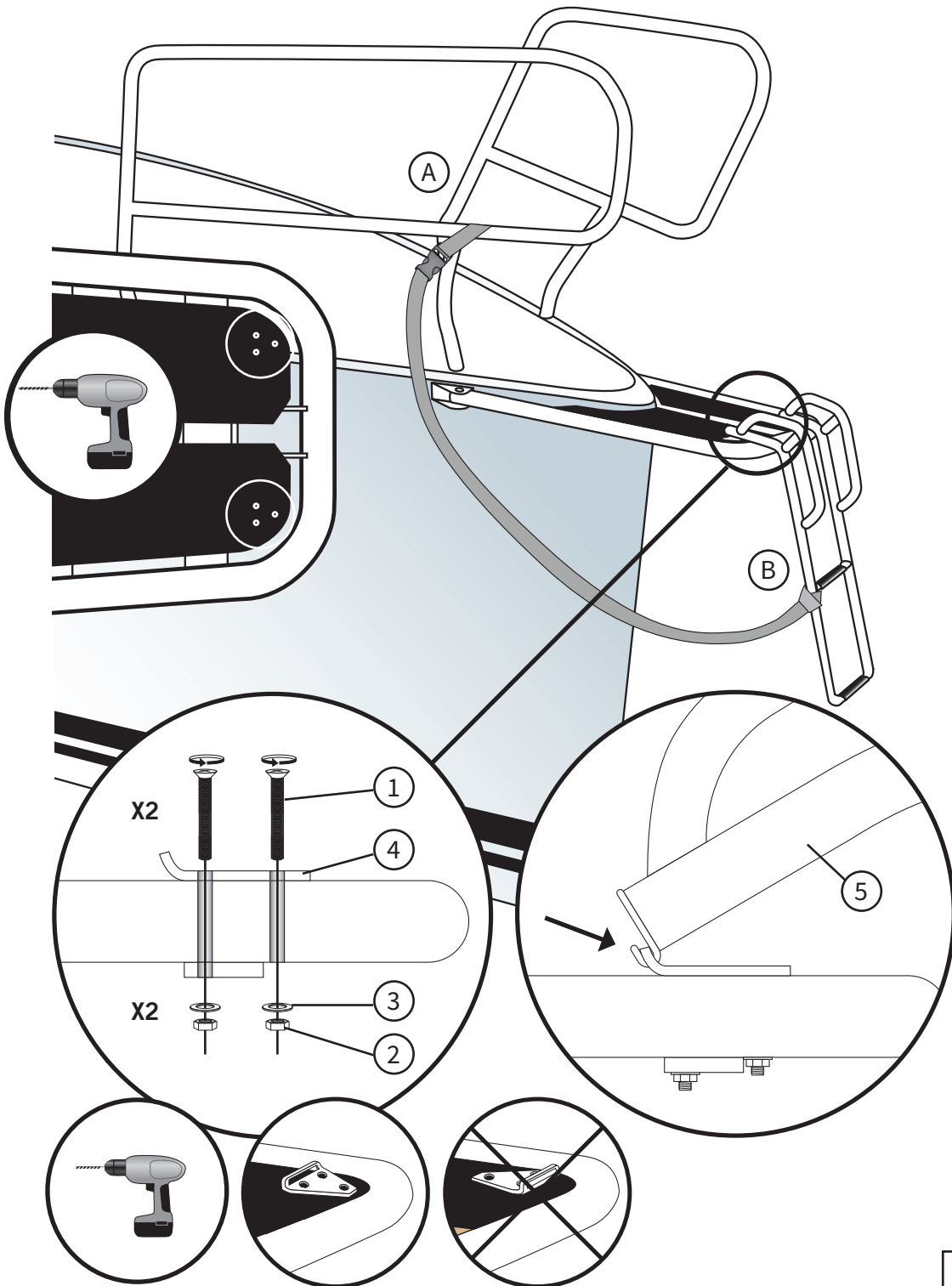
Detta behöver du:  
You will need this:



1

2

## Montering/mounting:



3

B

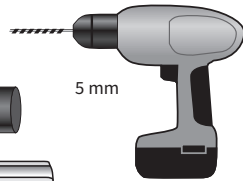
# Båtsystem



## BKT72-250, BKT73-250 - Mounting instructions

Boatsystem Group AB, Traneredsvägen 112, 426 53 Västra Frölunda, Sweden, Tel:+46 (0)31 69 03 80  
www.boatsystemgroup.com, info@boatsystemgroup.com

Detta behöver du:  
You will need this:



1

Innehåll:



x2  
M6x35

1



x2  
M6

2



x2

3



x1

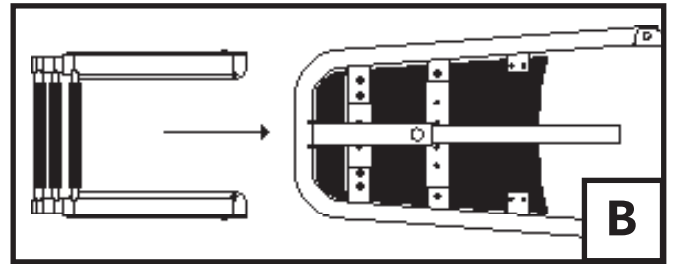
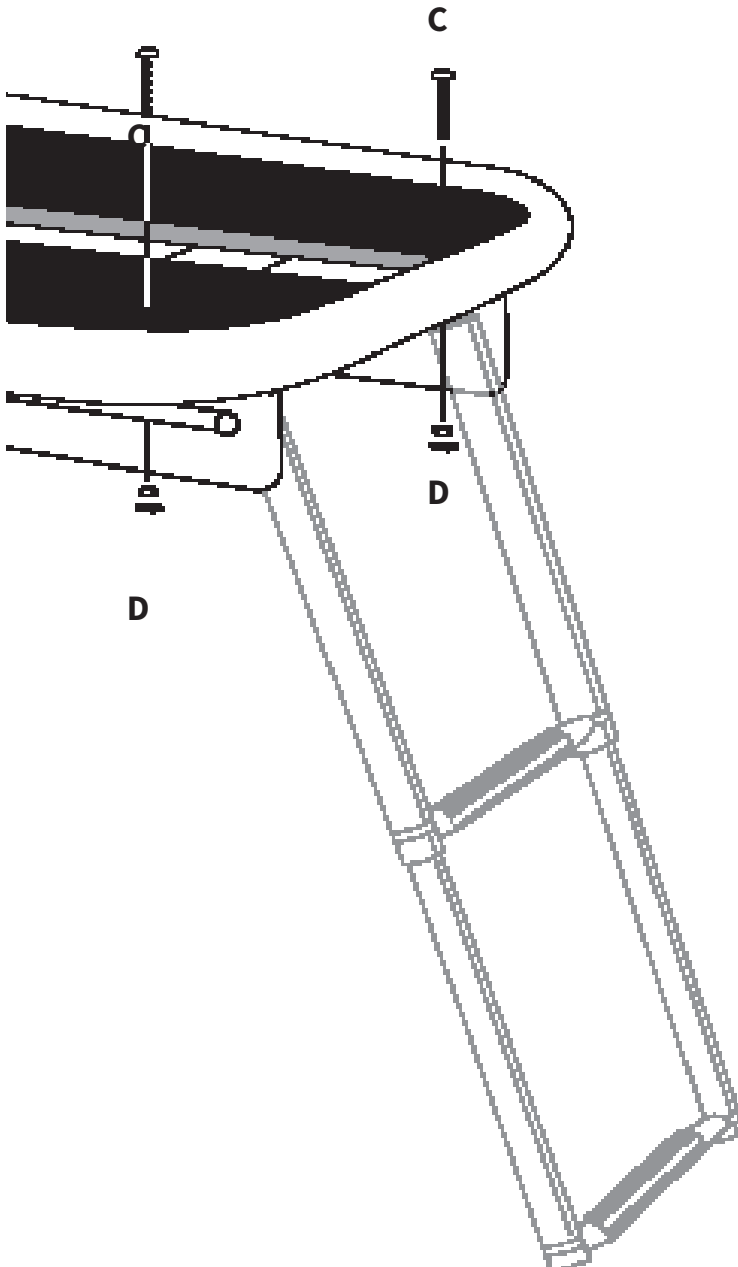
4

Steg / Ladder:

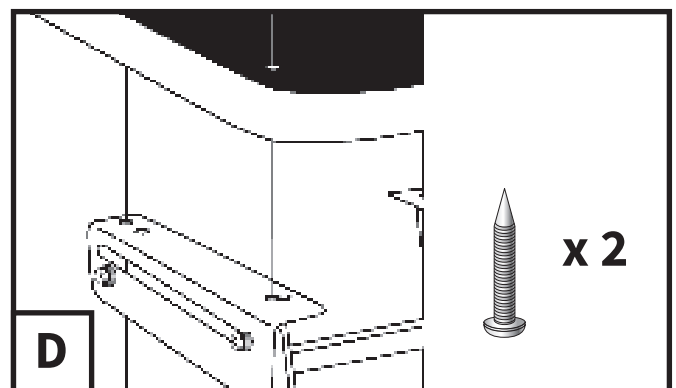
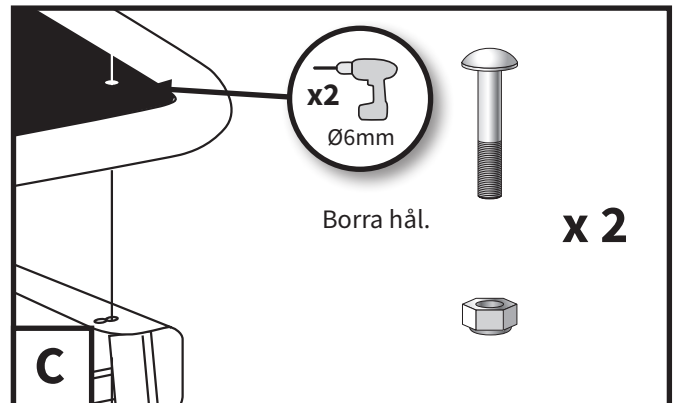
BKT72\_250  
BKT73-250

2

Montering/mounting:



Se till att ramsidorna monteras parallellt så att inte stegen fastnar när den fälls in.





## P1106

45°

