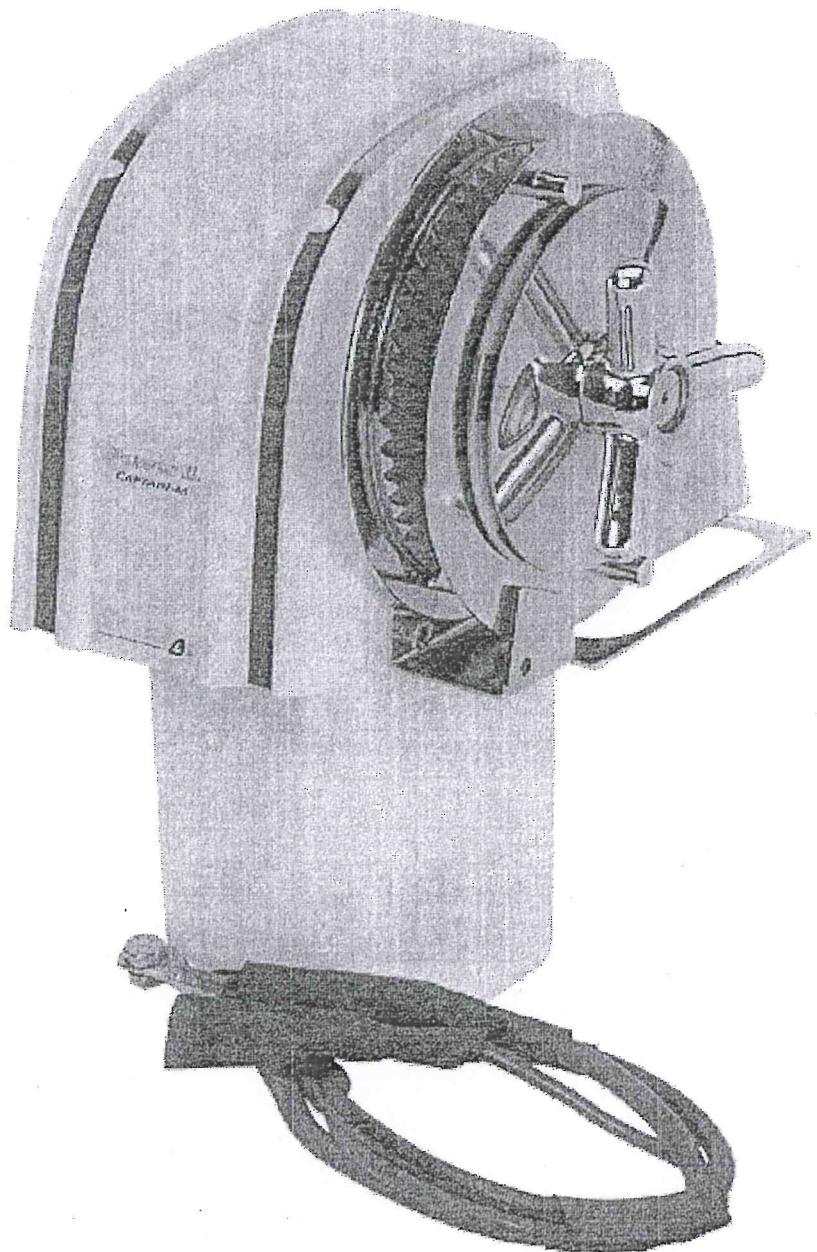
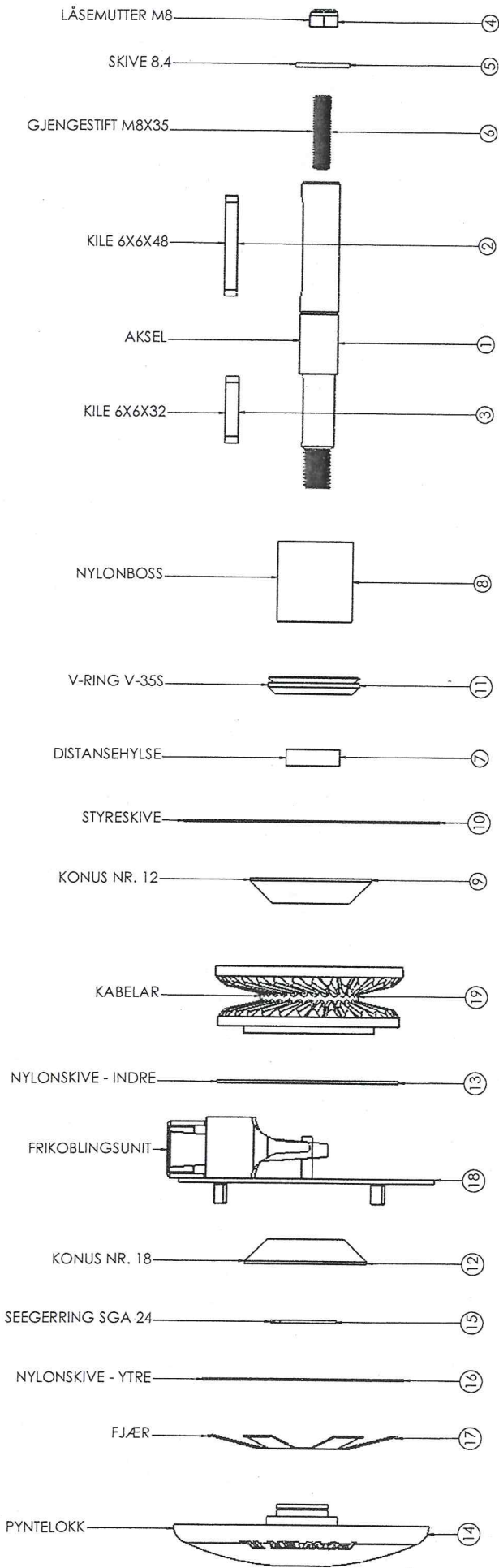


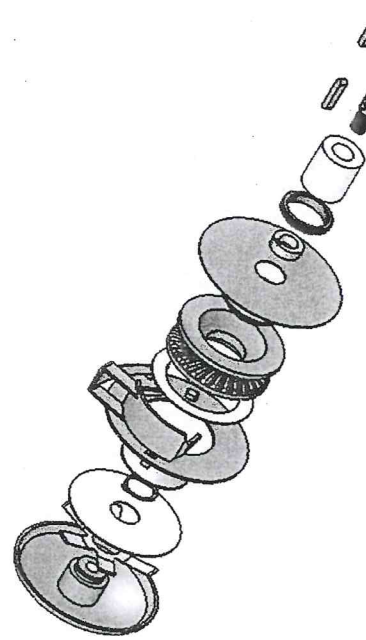


# Captain M 500W





CAP M. 500W



NO.	PART NUMBER	DESCRIPTION	EXPLODED/QTY.
1	3655B-C	AKSEL	1
2	36387	KILE 6X6X48	1
3	11144	KILE 6X6X32	1
4	34066	LÅSEMUTTER M8	1
5	36267	SKIVE 8,4	1
6	36587	GJENGESTIFT M8X35	1
7	11455	DISTANSEHYLSE	1
8	11466-C	NYLONBOSS	1
9	36338-A	KONUS NR. 12	1
10	11471-B	STYRESKIVE	1
11	11415	V-RING V-35S	1
12	11457-C	KONUS NR. 18	1
13	11534-A	NYLONSKIVE - INDRE	1
14	11460	PYNTELOKK KOMPL. M. NAV	1
15	11489	SEEGERING SGA 24	1
16	11459	NYLONSKIVE - YTRE	1
17	11458 - in Use	FJÆR	1
18	11465-B	FRIKOBLINGSUNIT	1
19	35510-D	KABELAR	1

TITLE: FRIKOBLINGSUNIT KOMPLETT  
CAPTAIN M 500W TAU

SCALE: 1:2

**ilas** MARINE

DWG. NO. 11488

REV. NO.

DATE: 03.07.07

SHEET: 2 / 3

DESIGNED BY:

CONTROL BY:

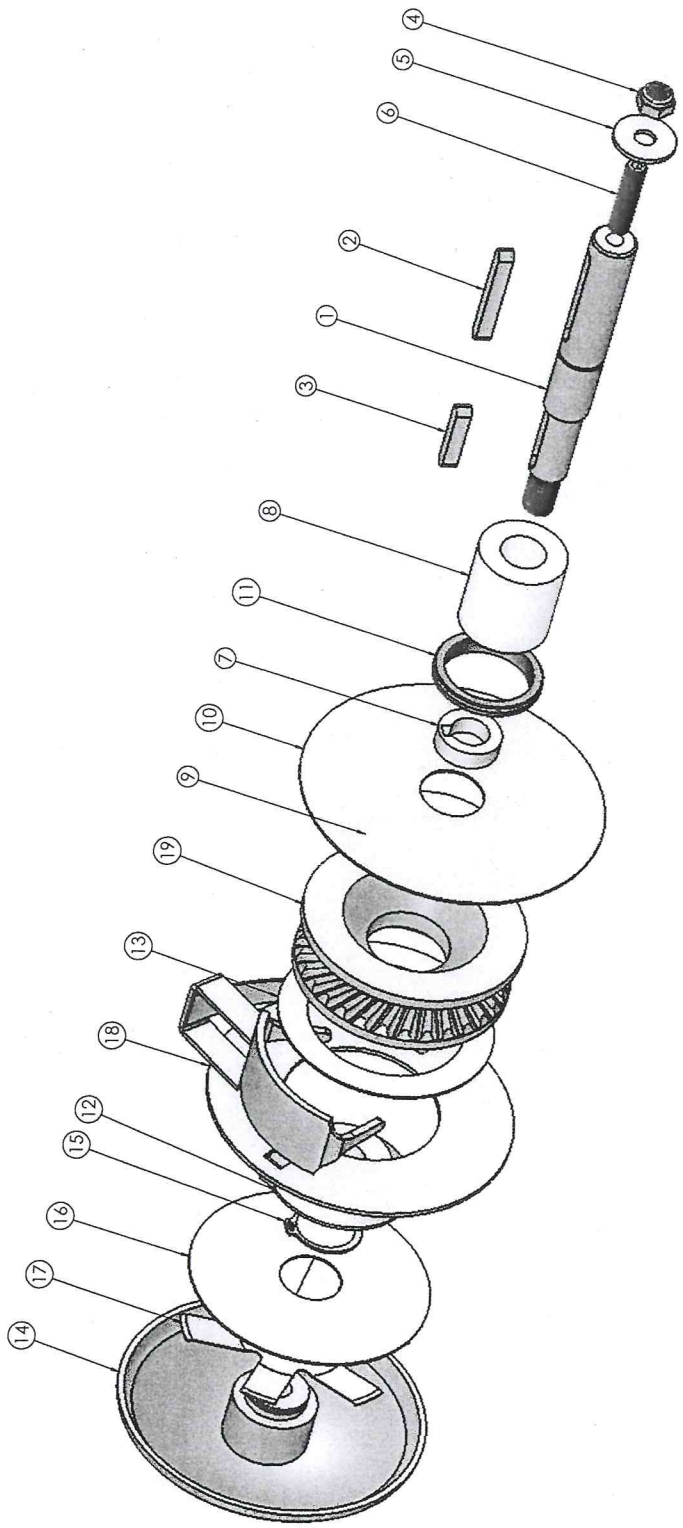
MATERIAL:

WEIGHT:

# SolidWorks Lightweight - Out-of-Date Print

REPRODUCTION IN PART OR AS A WHOLE WITHOUT THE WRITTEN PERMISSION OF INDUSTRI LAMBERSEER AS IS PROHIBITED.

NO.	SYMBOL	CHANGE	DATE/SIGN
1			
2			
3			
4			



NO.	PART NUMBER	DESCRIPTION	EXPLODED/QTY.
1	36558-C	AKSEL	1
2	36387	KILE 6X6X48	1
3	11144	KILE 6X6X32	1
4	34066	LÅSEMUTTER M8	1
5	36267	SKIVE 8.4	1
6	36587	GJENGESTIFT M8X35	1
7	11455	DISTANSEHULSE	1
8	11466-C	NYLONBOSS	1
9	36338-A	KONULS NR. 12	1
10	11471-B	STYRESKIVE	1
11	11415	V-RING V-355	1
12	11457-C	KONULS NR. 18	1
13	11534-A	NYLONSKIVE - INDRE	1
14	11460	PYNTELOKK KOMPL. M. NAV	1
15	11489	SEEGERRING SGA 24	1
16	11459	NYLONSKIVE - YTRE	1
17	11458 - in use	FJÆR	1
18	11465-B	FRIKOBINGSUNIT	1
19	35510-D	KABELAR	1

TITLE: FRIKOBINGSUNIT KOMPLETT CAPTAIN M 500W TAU		SCALE: 1:2
DWG NO. 11488		REV. NO.
MATERIAL:		DATE: 03.07.97
WEIGHT:		SHEET: 3 / 3
CONTROL BY:		DESIGNED BY:
SYMBOL CHANGE		
DATE/SGN		

# SolidWorks Lightweight - Out-of-Date Print

THIS DRAWING IS THE SOLE PROPERTY OF SOLIDWORKS CORPORATION. NO REPRODUCTION IN PART OR AS A WHOLE WITHOUT THE WRITTEN PERMISSION OF INDUSTRIAL LAMBERTER AS IS PROHIBITED.

