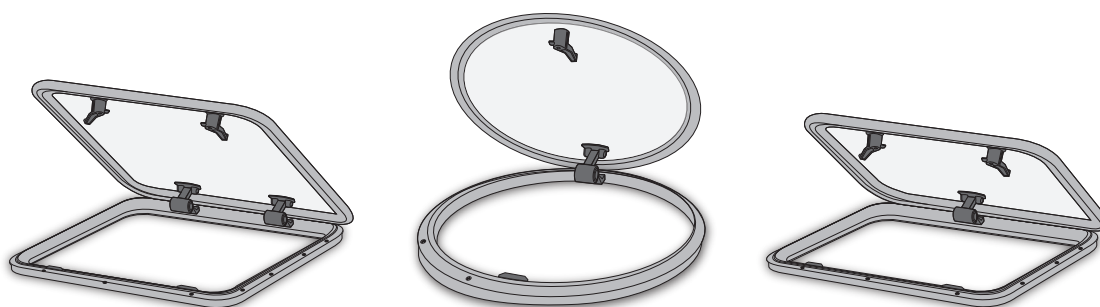


How to choose blind for hatches

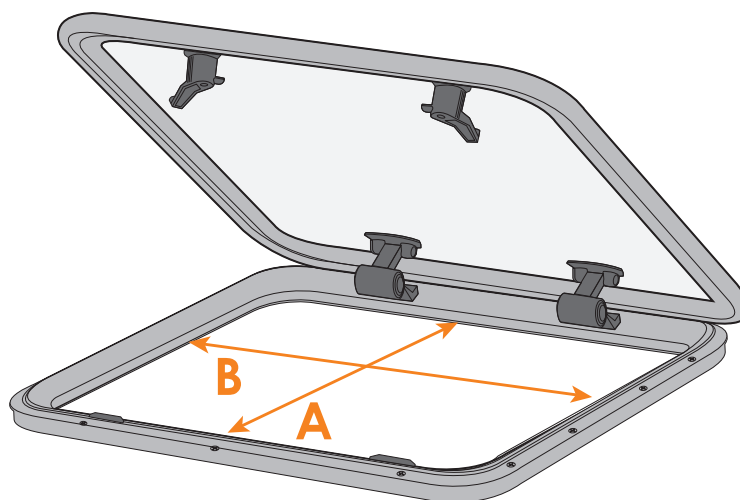
Hatch type

There are today several hatch types from more than 30 different manufacturers. With a blind from Waterline Design, it will fit almost all of them. We have three sizes of blinds for hatches that cover all of them. Our blinds just need to be larger than the hatch and will though cover a range of hatches, regardless of brand. There will just be different overlap. A standard blind is for example 600 x 600 mm, and it will cover a hatch with an opening of 520 x 520 mm down to ~400 x 400. The blind will also cover many hatch shapes: rectangular and square hatch and of course even round hatches. For trapeze hatches you need to measure a little extra since the “base” can be a little wider in the corners.



How to measure

To get you size, you measure the height and width (not the diagonal). The most common type is openable hatches in the front cabin. They are also used as an escape hatch if you need to evacuate the boat. They are sized 500 x 500 mm so you can climb out of them.



Size

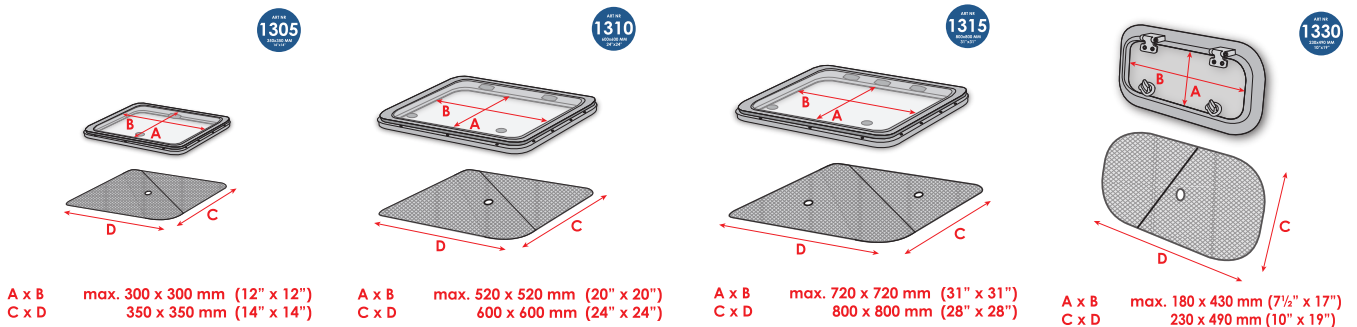
Waterline Design offers four sizes of blinds for hatches: Small, Regular, Large and Regular hatches with ventilation.

1305 Blind for Small hatches 350 x 350 mm is for small ventilations hatches often found in aft cabins and toilets. They are in general up to 300 x 300 mm or smaller.

1310 Blind for Regular hatches 600 x 600 mm are hatches (standard or medium) are the most common type of hatches 500 x 500 mm.

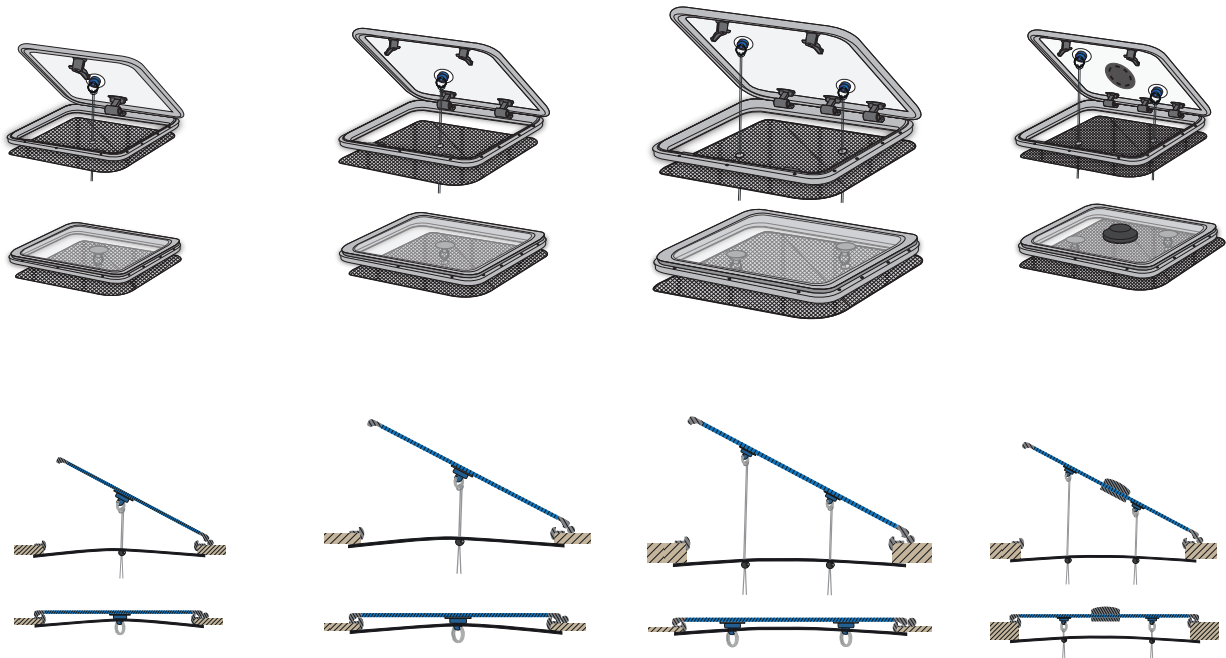
1315 Blind for Large hatches 720 x 720 mm is the largest type of hatches. For example, Lewmar 72 or Lewmar 77.

1320 Blind for Regular hatches with ventilation. Some hatches have a ventilation in the middle of the hatch. This means that you need a setup with two suction cups. The blind for large hatches already have two suction solution due to it's size. 600 x 600 mm are hatches (standard or medium)



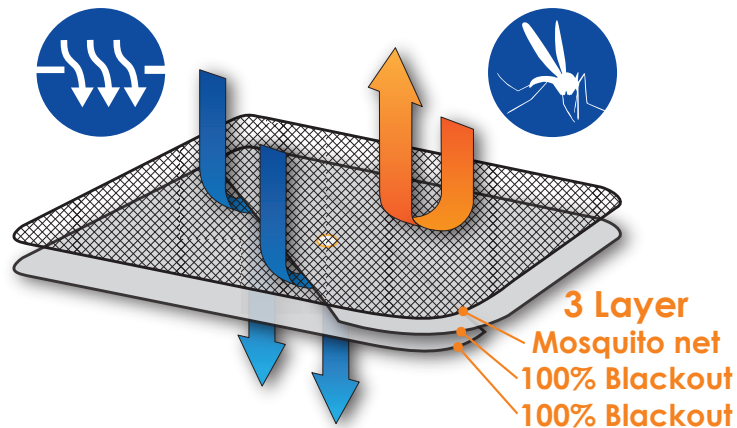
Open vs closed hatch

Our blind can be used with an open as well as a closed portlights. With the portlight open it will be able to let in some air in the cabin and still keep it dark inside.



Ventilation

The blind is designed with three layers of material. One layer with mosquito net and two layers with blackout material. The blackout material is overlapping each other. The gap between them will let in air. It will not ventilate the boat as with an open portlight but still let some air come in.



Deep hatches

Some boats have deep hatches and the set up with a magnet or suction cup direct in the blind won't look good. There is a string of rope included in all packages that you can use to prolong the suction with.

