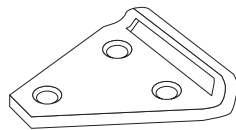




Detta behöver du:
 You will need this:



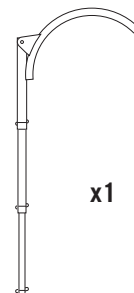
x6



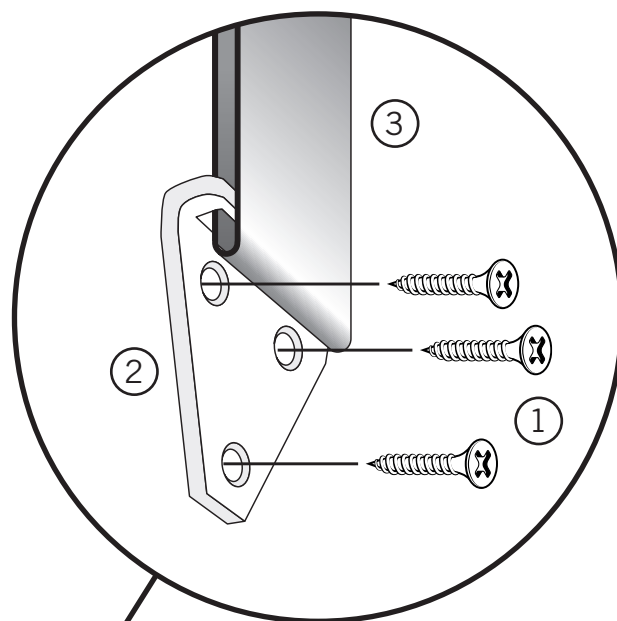
x2



x2



x1



Rek. montage
 Preferred mounting

Alternativt montage
 Alternate mounting

